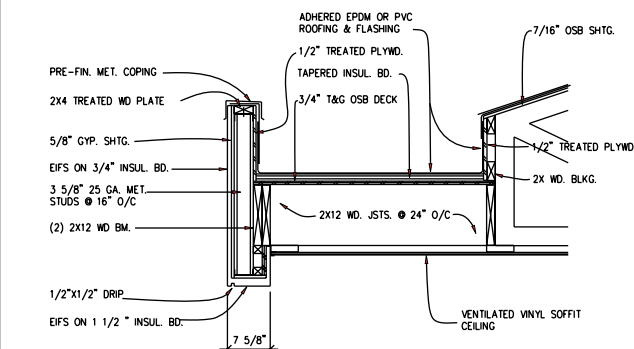
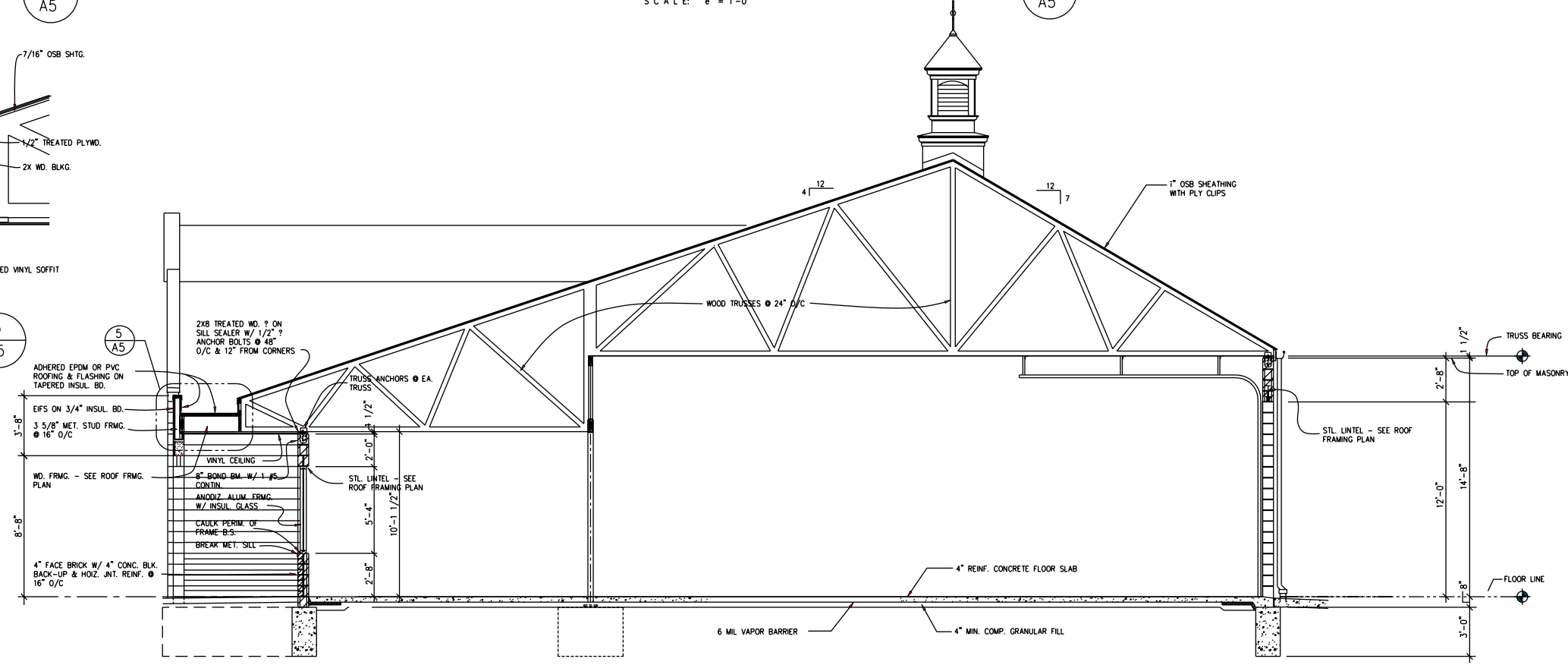


BUILDING SECTION C
SCALE: 8" = 1'-0"
A5

BUILDING SECTION A
SCALE: 8" = 1'-0"
A5



ROOF DETAIL 5
SCALE: 8" = 1'-0"
A5



BUILDING SECTION B
SCALE: 8" = 1'-0"
A5

DATE : 3/8/00

FLEX BUILDING FOR
CUMBERLAND CONSTRUCTION
HOLLAND - SYLVANIA ROAD
TOLEDO OHIO
BUILDING SECTIONS / DETAILS